

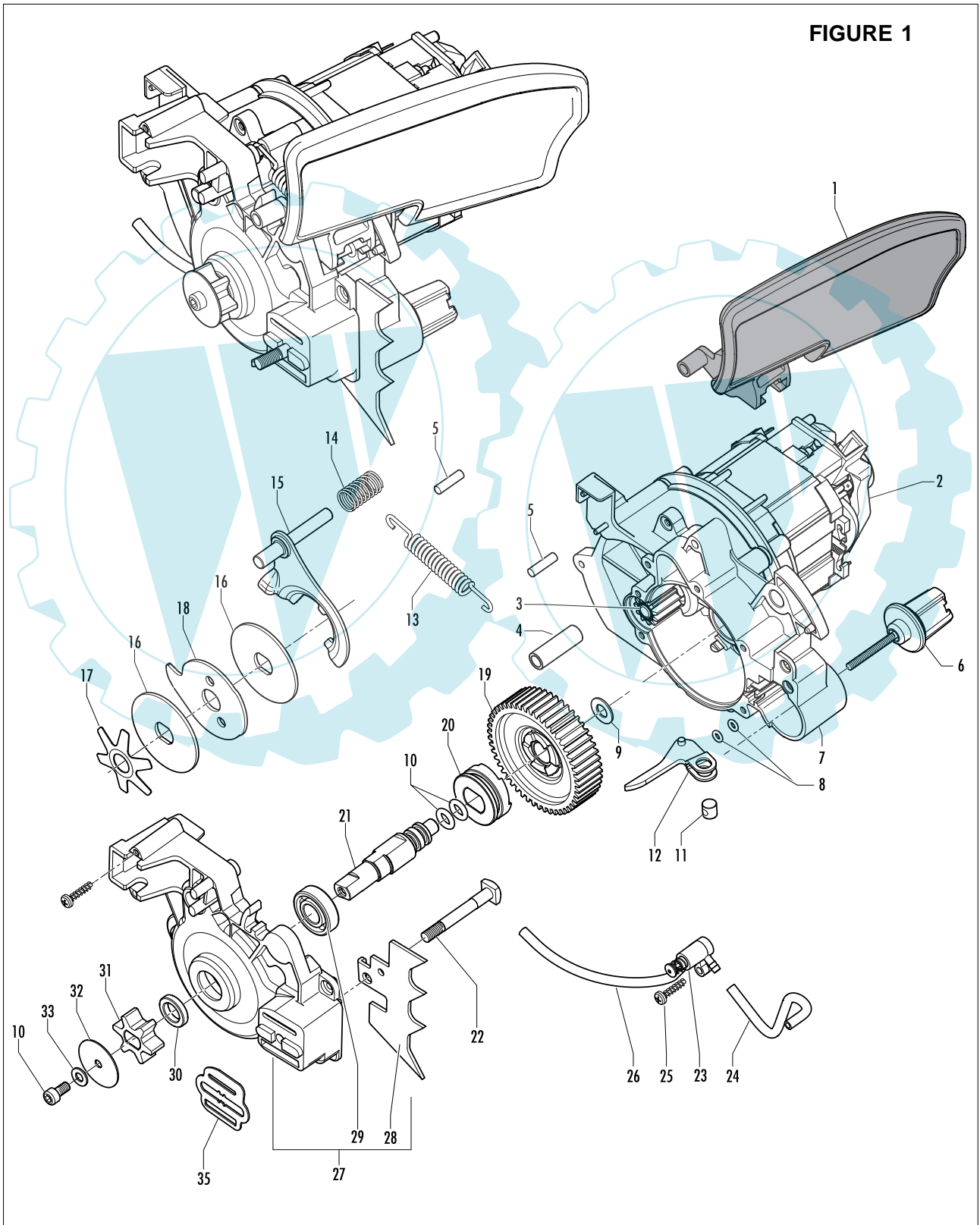
| | |
|-------|----------------|
| brand | PARTNER |
|-------|----------------|

| | | |
|------|--------|-----------|
| date | MAR/03 | SHEET 1/4 |
|------|--------|-----------|

| | |
|-----------------------|--------|
| Model | Prefix |
| P 1835 ASSY UK | 01 |
| | |
| | |

| |
|------------------|
| Product number |
| 953900443 |
| |
| |

FIGURE 1



| | |
|-------|----------------|
| brand | PARTNER |
|-------|----------------|

| | | |
|------|--------|-----------|
| date | MAR/03 | SHEET 2/4 |
|------|--------|-----------|

| | |
|-----------------------|--------|
| Model | Prefix |
| P 1835 ASSY UK | 01 |
| | |
| | |

| |
|------------------|
| Product number |
| 953900443 |
| |
| |

FIGURE 1

| pos | P/N McC | P/N ELX | Q.ty | DESCRIPTION |
|------|---------|-----------|------|---------------------------|
| 1 | 5339 | 538005339 | 1 | BRAKE LEVER |
| 2 | 5306 | 538005306 | 1 | MOTOR ASSY |
| 3 | 5307 | 538005307 | 1 | PINION |
| 4 | 5372 | 538005372 | 1 | BUSH D.5,5X9X23 |
| 5 | 5341 | 538005341 | 2 | PIN |
| C 6 | 5327 | 538005327 | 1 | LOCKING NUT |
| 7 | 5308 | 538005308 | 1 | MOTOR MOUNTING |
| B 8 | 5355 | 538005355 | 2 | OR 2015 |
| 9 | 5322 | 538005322 | 1 | WASHER |
| 10 | 5381 | 538005381 | 2 | OR 3030 |
| C 11 | 5328 | 538005328 | 1 | CHAIN TENSIONER NUT |
| C 12 | 5329 | 538005329 | 1 | CHAIN TENSIONER ASS'Y |
| 13 | 5340 | 538005340 | 1 | BRAKE SPRING |
| 14 | 5326 | 538005326 | 1 | SPRING |
| 15 | 5323 | 538005323 | 1 | ROCKING LEVER ASS'Y |
| 16 | 5314 | 538005314 | 2 | DRIVEN PLATE |
| 17 | 5311 | 538005311 | 1 | BELLEVILLE WASHER |
| 18 | 5313 | 538005313 | 1 | PLATE |
| C 19 | 5320 | 538005320 | 1 | GEAR |
| C 20 | 5315 | 538005315 | 1 | COUPLING |
| 21 | 5316 | 538005316 | 1 | SHAFT |
| 22 | 241035 | 538241035 | 1 | STUD BOLT |
| A 23 | 5357 | 538005357 | 1 | OIL PUMP ASSY |
| 24 | 5334 | 538005334 | 1 | HOSE |
| 25 | 240862 | 538240862 | 1 | SCREW M4X18 |
| 26 | 5333 | 538005333 | 1 | SUCTION HOSE |
| 27 | 5310 | 538005310 | 1 | CHAIN BRAKE COVER ASS'Y |
| 28 | • 5338 | 538005338 | 1 | SPIKE |
| B 29 | • 5362 | 538005362 | 1 | BEARING 6001 ZZ V2 LDS 18 |
| 30 | 5317 | 538005317 | 1 | PINION SPACER |
| B 31 | 5318 | 538005318 | 1 | PINION |
| 32 | 5319 | 538005319 | 1 | WASHER |
| 33 | 236529 | 538236529 | 1 | GROWER D.5 |
| 34 | 5354 | 538005354 | 1 | SCREW M5X10 |
| 35 | 5380 | 538005380 | 1 | PLATE |

A= ALTA ROTAZIONE
B=MEDIA ROTAZIONE
C=BASSA ROTAZIONE

A=HIGH MOVING
B=MEDIUM MOVING
C=SLOW MOVING

A=HAUTE DEMANDE
B=MOYENNE DEMANDE
C=BASSE DEMANDE

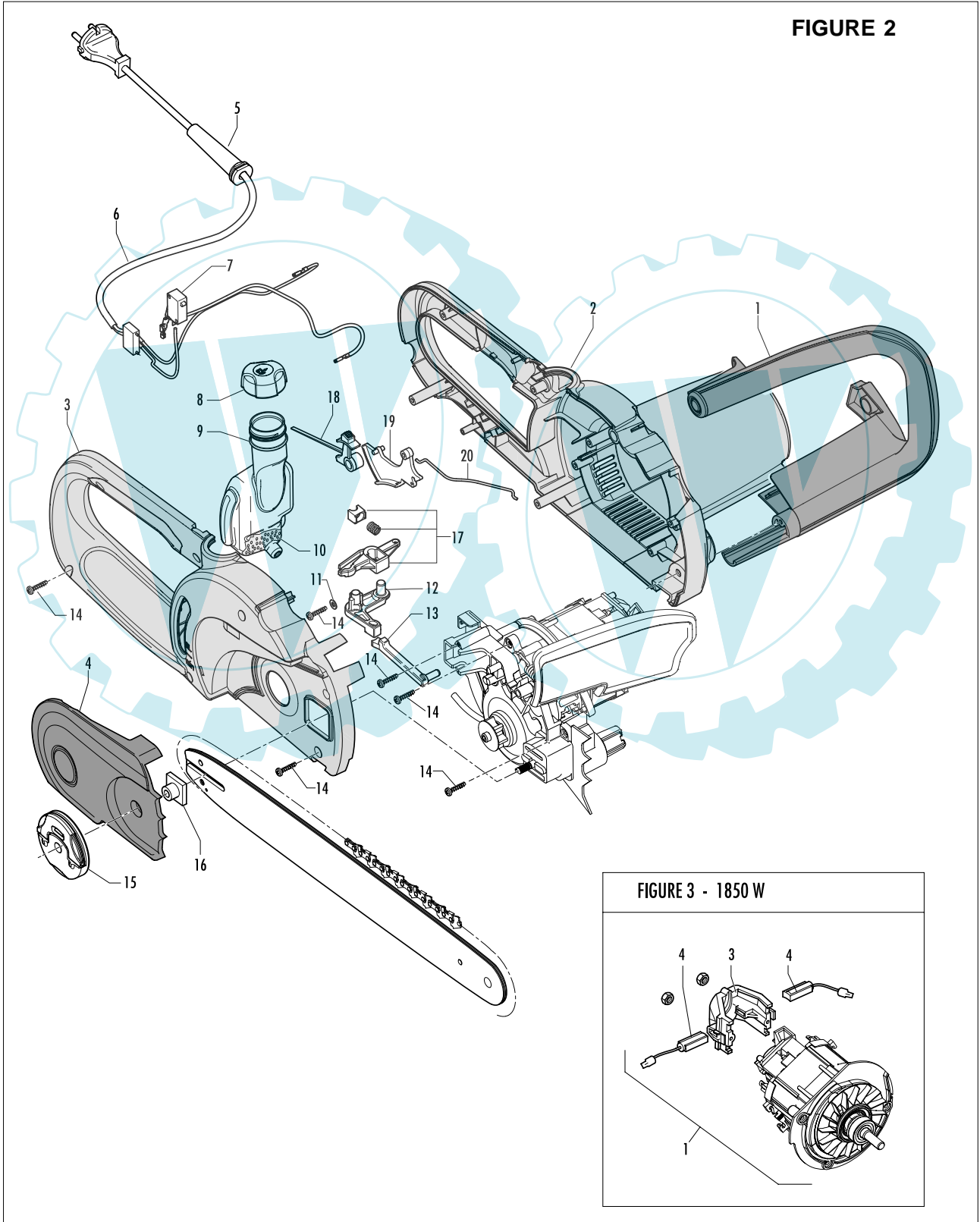
A=GROÙE NACHFRAGE
B=MITTELMAÙßIGE
C=WENIGE NACHFRAGE

| | |
|-------|----------------|
| brand | PARTNER |
|-------|----------------|

| | | |
|------|--------|-----------|
| date | MAR/03 | SHEET 3/4 |
|------|--------|-----------|

| | |
|-----------------------|--------|
| Model | Prefix |
| P 1835 ASSY UK | 01 |
| | |
| | |

| |
|------------------|
| Product number |
| 953900443 |
| |
| |



| | |
|-------|----------------|
| brand | PARTNER |
|-------|----------------|

| | | |
|------|--------|-----------|
| date | MAR/03 | SHEET 4/4 |
|------|--------|-----------|

| | |
|-----------------------|--------|
| Model | Prefix |
| P 1835 ASSY UK | 01 |
| | |
| | |

| |
|------------------|
| Product number |
| 953900443 |
| |
| |

FIGURE 2

| pos | P/N McC | P/N ELX | Q.ty | DESCRIPTION |
|------|---------|-----------|------|---------------------|
| 1 | 5351 | 538005351 | 1 | FRONT HANDLE |
| 2 | 5304 | 538005304 | 1 | LEFT CRANKCASE |
| 3 | 5305 | 538005305 | 1 | RIGHT CRANKCASE |
| B 4 | 5349 | 538005349 | 1 | PINION COVER |
| 5 | 241051 | 538241051 | 1 | WIRE COVER |
| 6 | 5377 | 538005377 | 1 | WIRES ASSY |
| C 7 | 242687 | 538242687 | 1 | MICRO SWITCH |
| B 8 | 5336 | 538005336 | 1 | OIL CAP |
| 9 | 5335 | 538005335 | 1 | OIL TANK |
| B 10 | 242365 | 538242365 | 1 | OIL FILTER |
| 11 | 235612 | 538235612 | 1 | WASHER |
| 12 | 5343 | 538005343 | 2 | FORK LEVER |
| 13 | 5342 | 538005342 | 1 | SAFETY LEVER |
| 14 | 240862 | 538240862 | 14 | SCREW M4X18 |
| A 15 | 5366 | 538005366 | 1 | LOCKING NUT ASSY |
| 16 | 5378 | 538005378 | 1 | SPACER |
| 17 | 249172 | 538249172 | 1 | ROCKING LEVER ASS'Y |
| 18 | 5347 | 538005347 | 1 | SAFETY LEVER |
| 19 | 5346 | 538005346 | 1 | TRIGGER |
| 20 | 5345 | 538005345 | 1 | TENSION ROD |

FIGURE 3

| | | | | |
|-----|----------|-----------|---|----------------|
| C 1 | 5306 | 538005306 | 1 | MOTOR ASSY |
| C 3 | 00248957 | 538248957 | 1 | BRUSHES HOLDER |
| C 4 | 00248956 | 538248956 | 2 | BRUSHES |

| | | | |
|-------------------|-----------------|-------------------|--------------------|
| A= ALTA ROTAZIONE | A=HIGH MOVING | A=HAUTE DEMANDE | A=GROÙE NACHFRAGE |
| B=MEDIA ROTAZIONE | B=MEDIUM MOVING | B=MOYENNE DEMANDE | B=MITTELMAÙÙIGE |
| C=BASSA ROTAZIONE | C=SLOW MOVING | C=BASSE DEMANDE | C=WENIGE NACHFRAGE |